

MSX ENGINE CPU + CTRL

MSX ENGINE VDP + AY + I/O

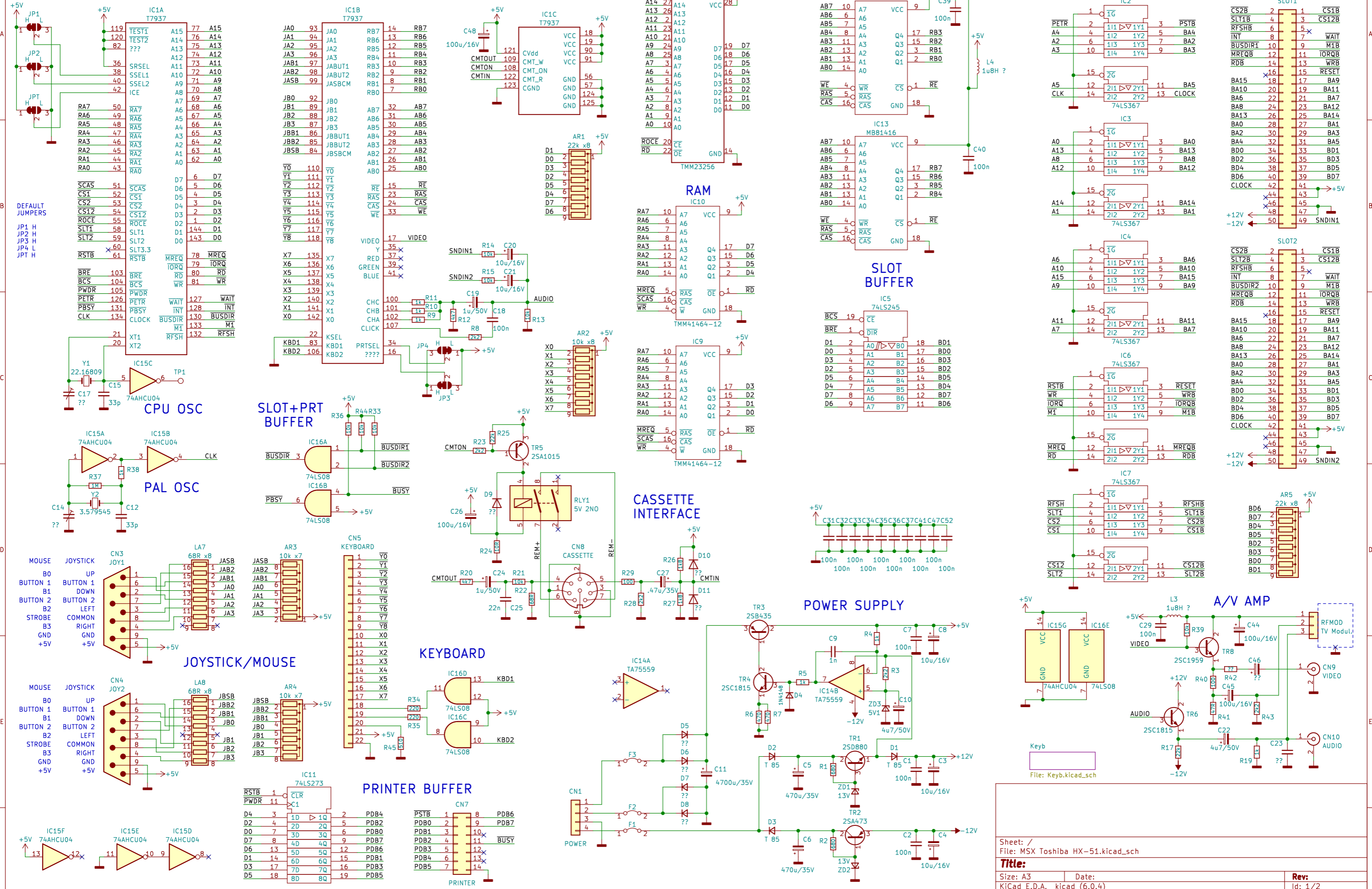
MSX ENGINE POWER + CASSETTE

ROM

VRAM

SLOT BUFFER

SLOT



TEST1	A15	77	A15
TEST2	A14	76	A14
???	A13	75	A13
???	A12	74	A12
SRSEL	A11	73	A11
SSEL1	A10	72	A10
SSEL2	A9	71	A9
ICE	A8	70	A8
RA7	A7	69	A7
RA6	A6	68	A6
RA5	A5	67	A5
RA4	A4	66	A4
RA3	A3	65	A3
RA2	A2	64	A2
RA1	A1	63	A1
RA0	A0	62	A0
SCAS	D7	6	D7
CS1	D6	5	D6
CS2	D5	4	D5
CS12	D4	3	D4
ROCE	D3	2	D3
SLT1	D2	1	D2
SLT2	D1	144	D1
SLT3	D0	143	D0
MREQ	78	MREQ	78
IORQ	79	IORQ	79
RD	80	RD	80
WR	81	WR	81
WAIT	127	WAIT	127
INT	128	INT	128
BUSDIR	130	BUSDIR	130
M1	133	M1	133
RFSH	132	RFSH	132
XT1	21	XT1	21
XT2	20	XT2	20
BRE	103	BRE	103
BCS	104	BCS	104
PWDR	105	PWDR	105
PETR	126	PETR	126
PBSY	131	PBSY	131
CLK	134	CLK	134
MREQ	78	MREQ	78
IORQ	79	IORQ	79
RD	80	RD	80
WR	81	WR	81
WAIT	127	WAIT	127
INT	128	INT	128
BUSDIR	130	BUSDIR	130
M1	133	M1	133
RFSH	132	RFSH	132

JA0	93	JA0	RB7	14	RB7
JA1	94	JA1	RB6	13	RB6
JA2	95	JA2	RB5	12	RB5
JA3	96	JA3	RB4	11	RB4
JAB1	97	JABUT1	RB3	10	RB3
JAB2	98	JABUT2	RB2	9	RB2
JASB	99	JASBCM	RB1	8	RB1
			RB0	7	RB0
JB0	92	JB0	AB7	32	AB7
JB1	89	JB1	AB6	31	AB6
JB2	88	JB2	AB5	30	AB5
JB3	87	JB3	AB4	29	AB4
JBB1	86	JBBUT1	AB3	28	AB3
JBB2	85	JBBUT2	AB2	27	AB2
JBSB	84	JBSBCM	AB1	26	AB1
			AB0	25	AB0
Y0	110	Y0	RE	15	RE
Y1	111	Y1	RAS	23	RAS
Y2	112	Y2	CAS	24	CAS
Y3	113	Y3	WE	33	WE
Y4	114	Y4			
Y5	115	Y5			
Y6	116	Y6			
Y7	117	Y7			
Y8	118	Y8			
X7	135	X7			
X6	136	X6			
X5	137	X5			
X4	138	X4			
X3	139	X3			
X2	140	X2			
X1	141	X1			
X0	142	X0			
VIDEO	17	VIDEO			
Y	35	Y			
RED	37	RED			
GREEN	39	GREEN			
BLUE	41	BLUE			
CHC	100	CHC			
CHB	101	CHB			
CHA	102	CHA			
CLICK	107	CLICK			
KBD1	22	KBD1			
KBD2	106	KBD2			
PRTSEL	34	PRTSEL			

RAM

SLOT BUFFER

CASSETTE INTERFACE

KEYBOARD

KEYBOARD

PRINTER BUFFER

A/V AMP

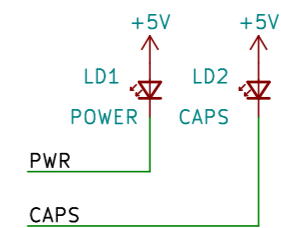
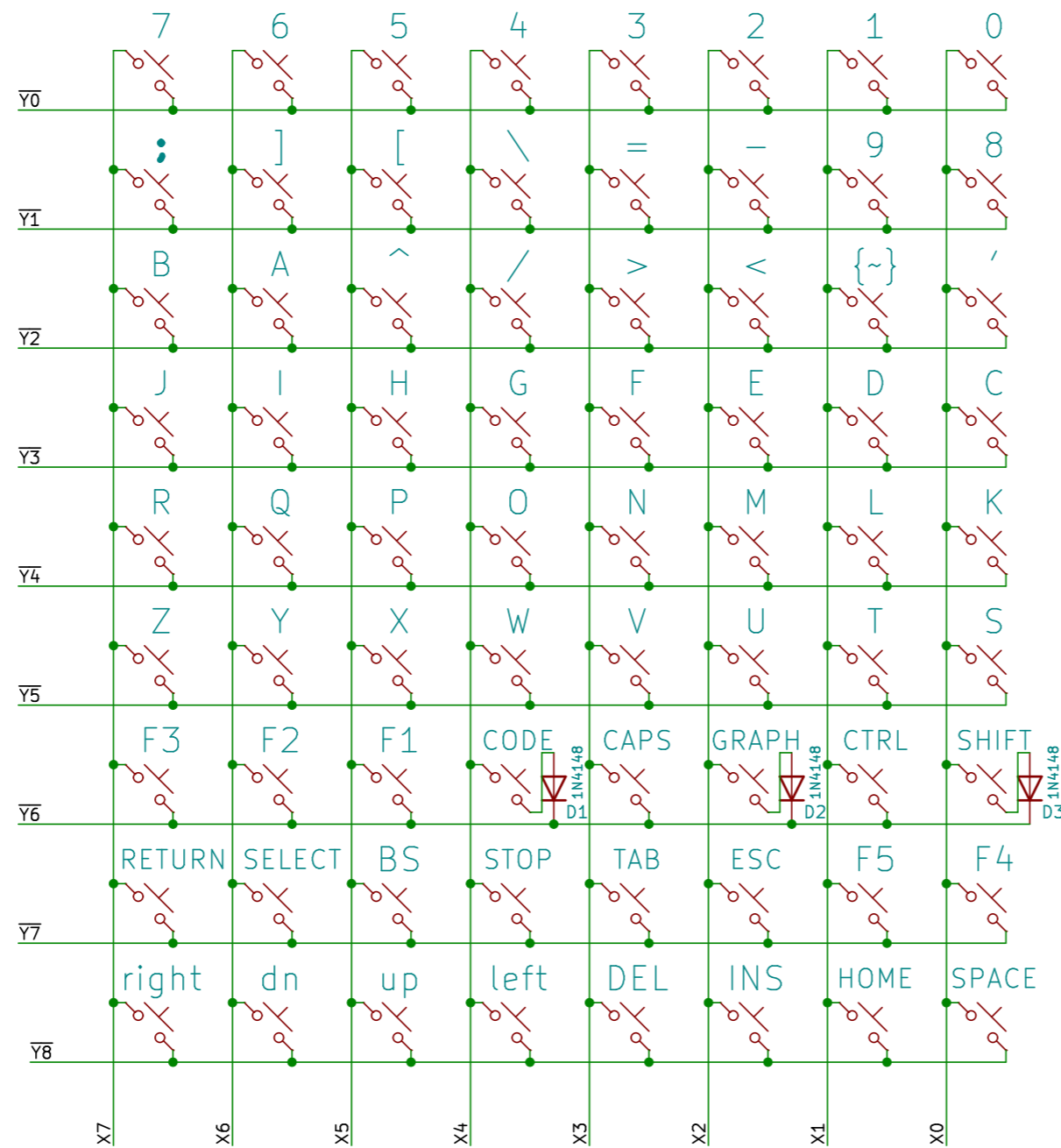
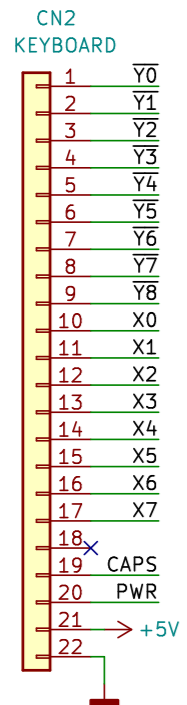
CPU OSC

PAL OSC

JOYSTICK/MOUSE

POWER SUPPLY

FILE: Keyb.kicad_sch



Sheet: /Keyb/
File: Keyb.kicad_sch

Title: MITSUMI KEYBOARD

Size: A4 Date:
KiCad E.D.A. kicad (6.0.4)

Rev:
Id: 2/2